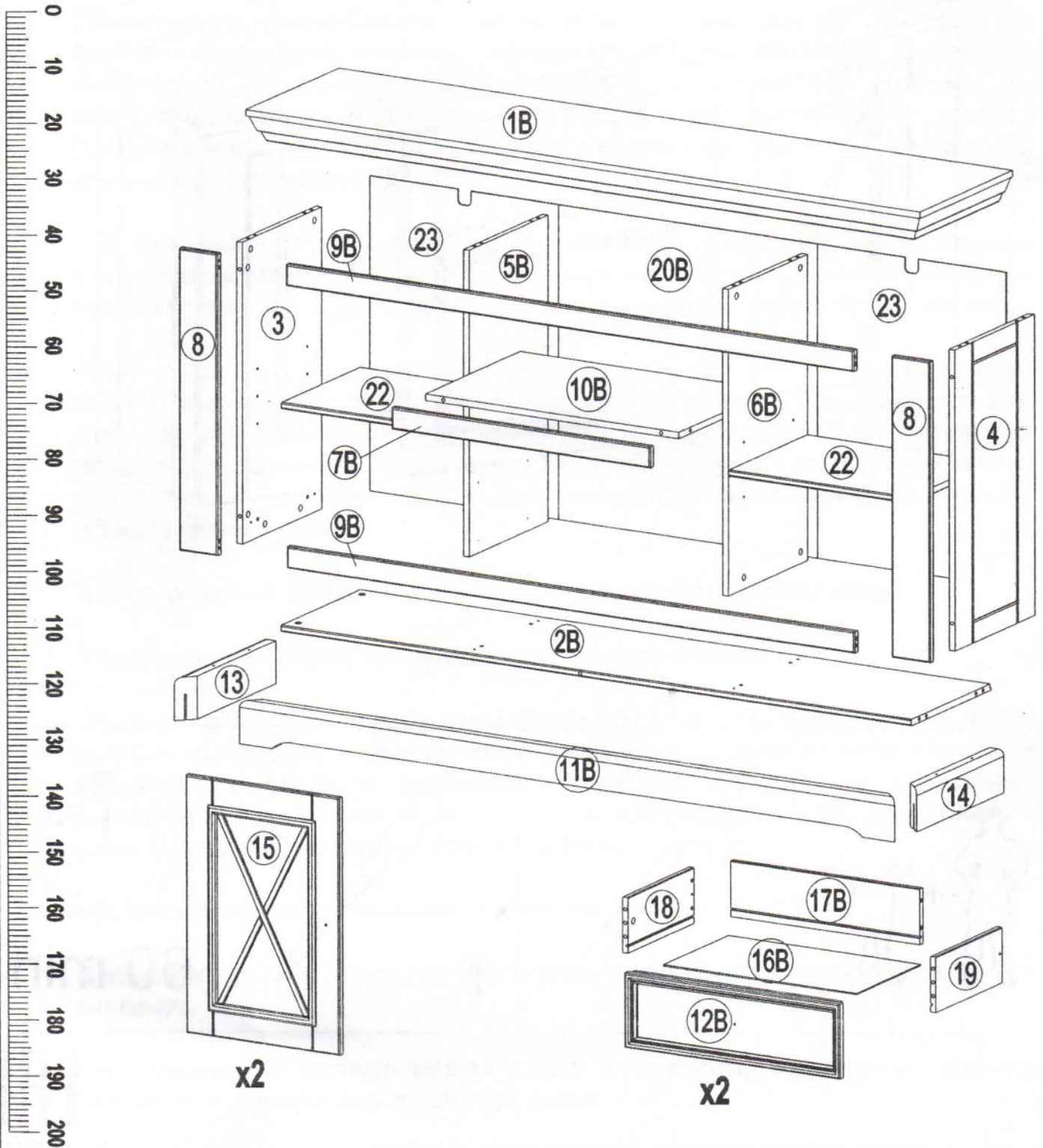
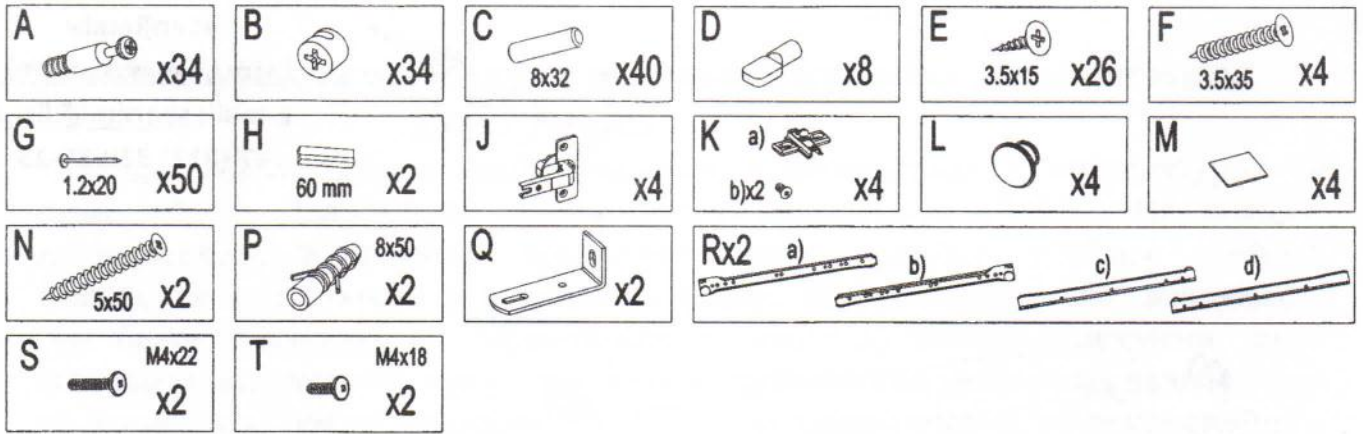
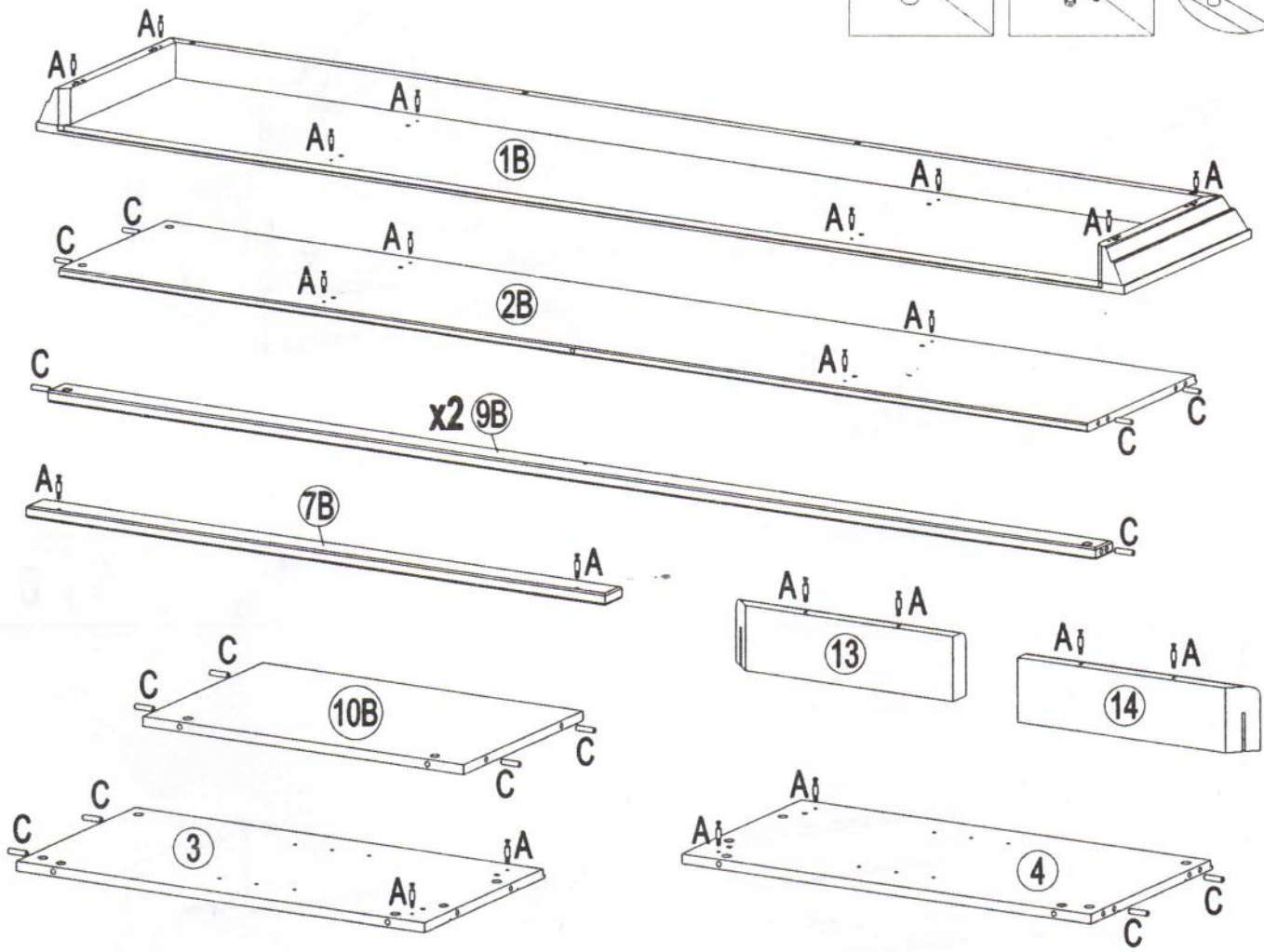
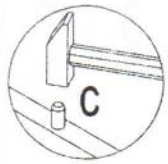
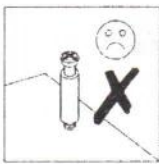
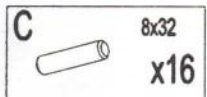
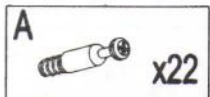


60 min

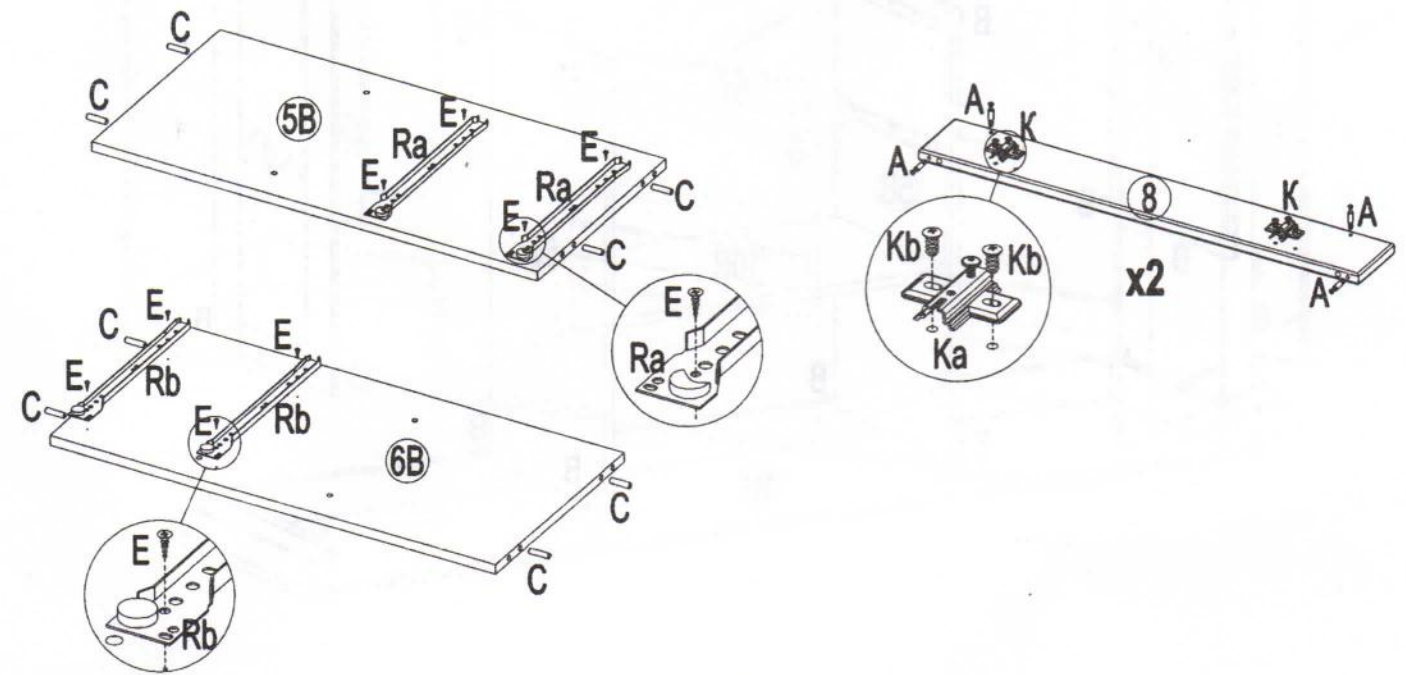
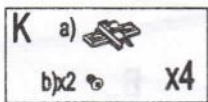
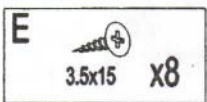
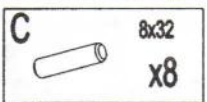
EAC



1



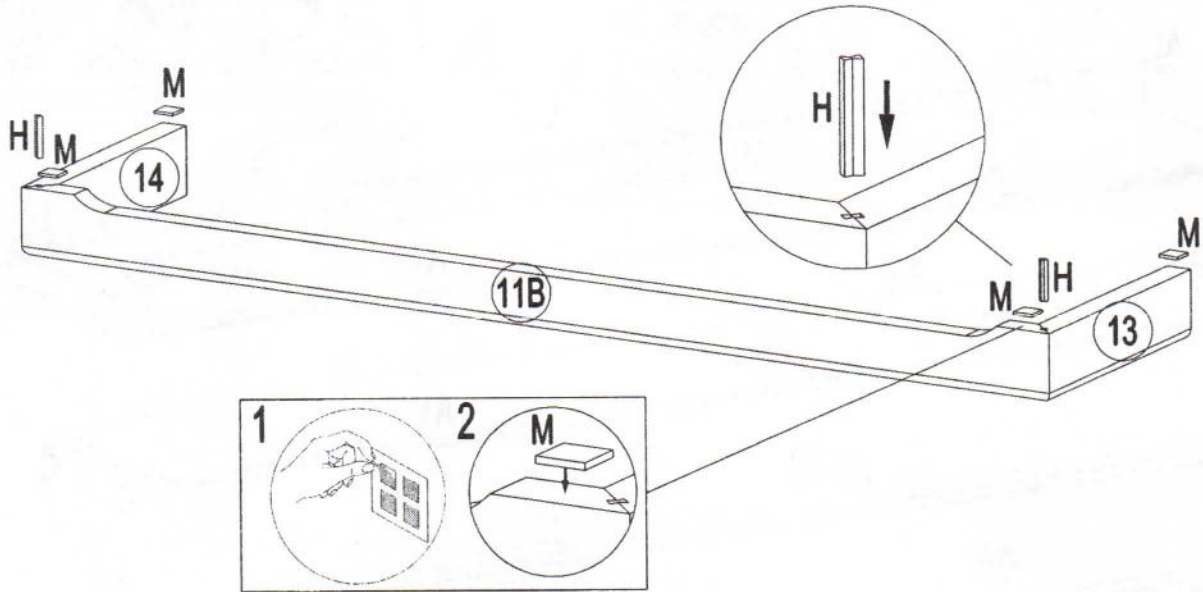
2



3

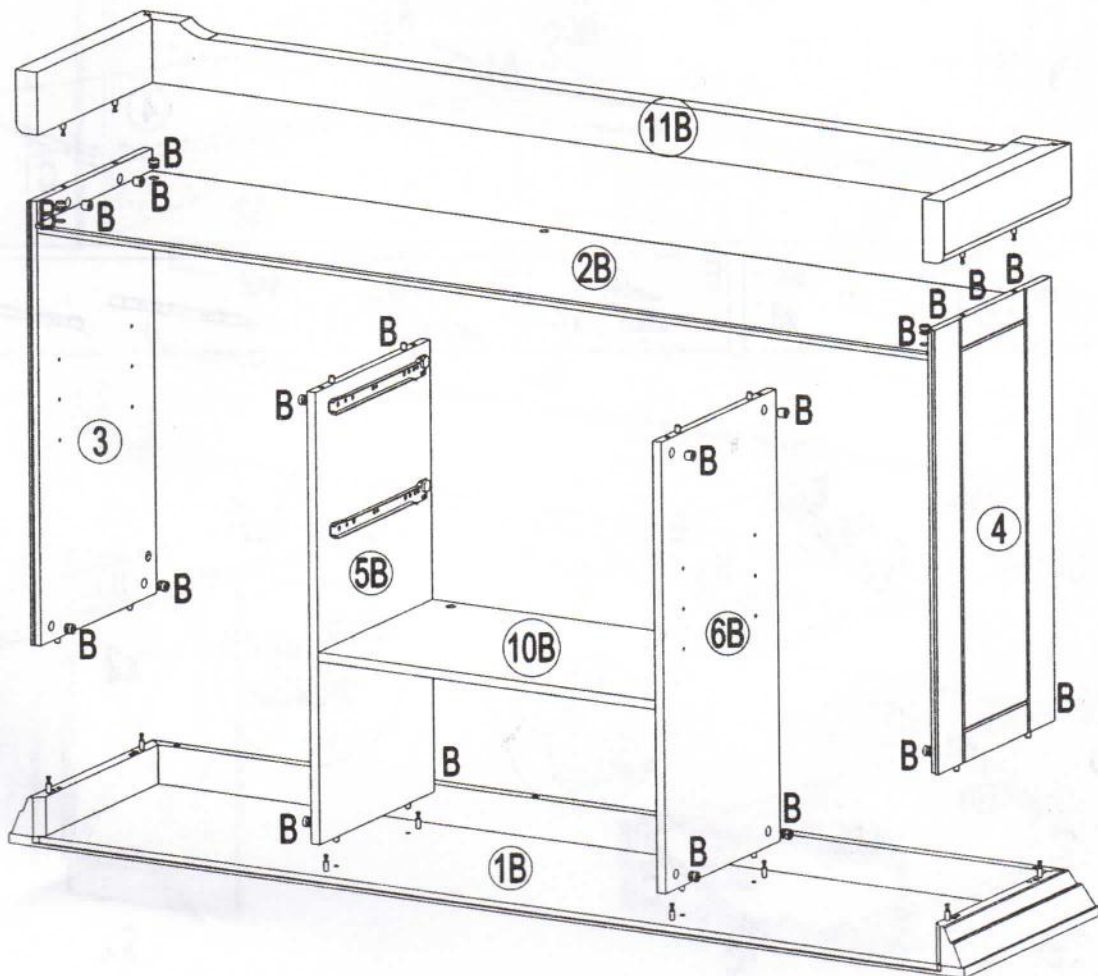
H 60 mm x2

M x4

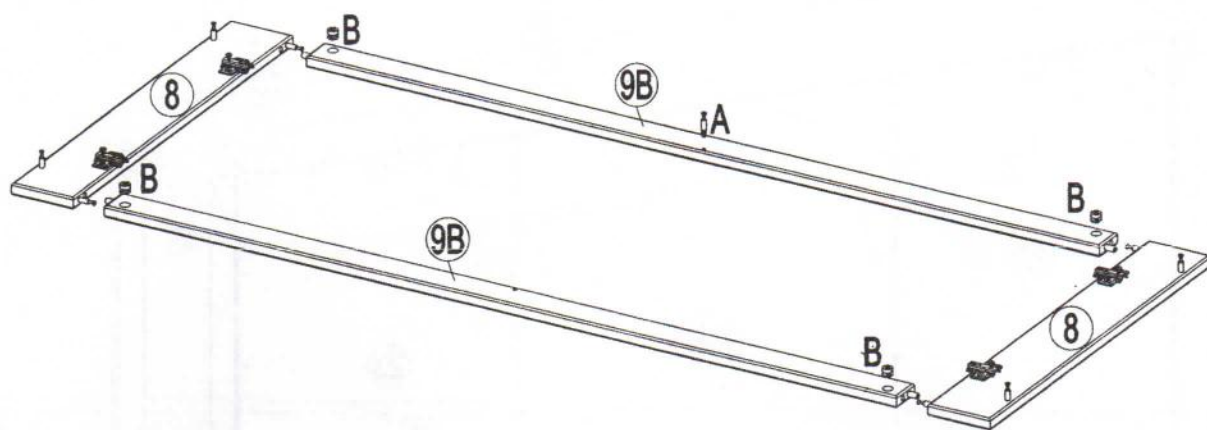
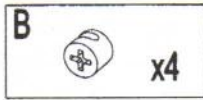
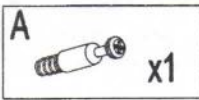


4

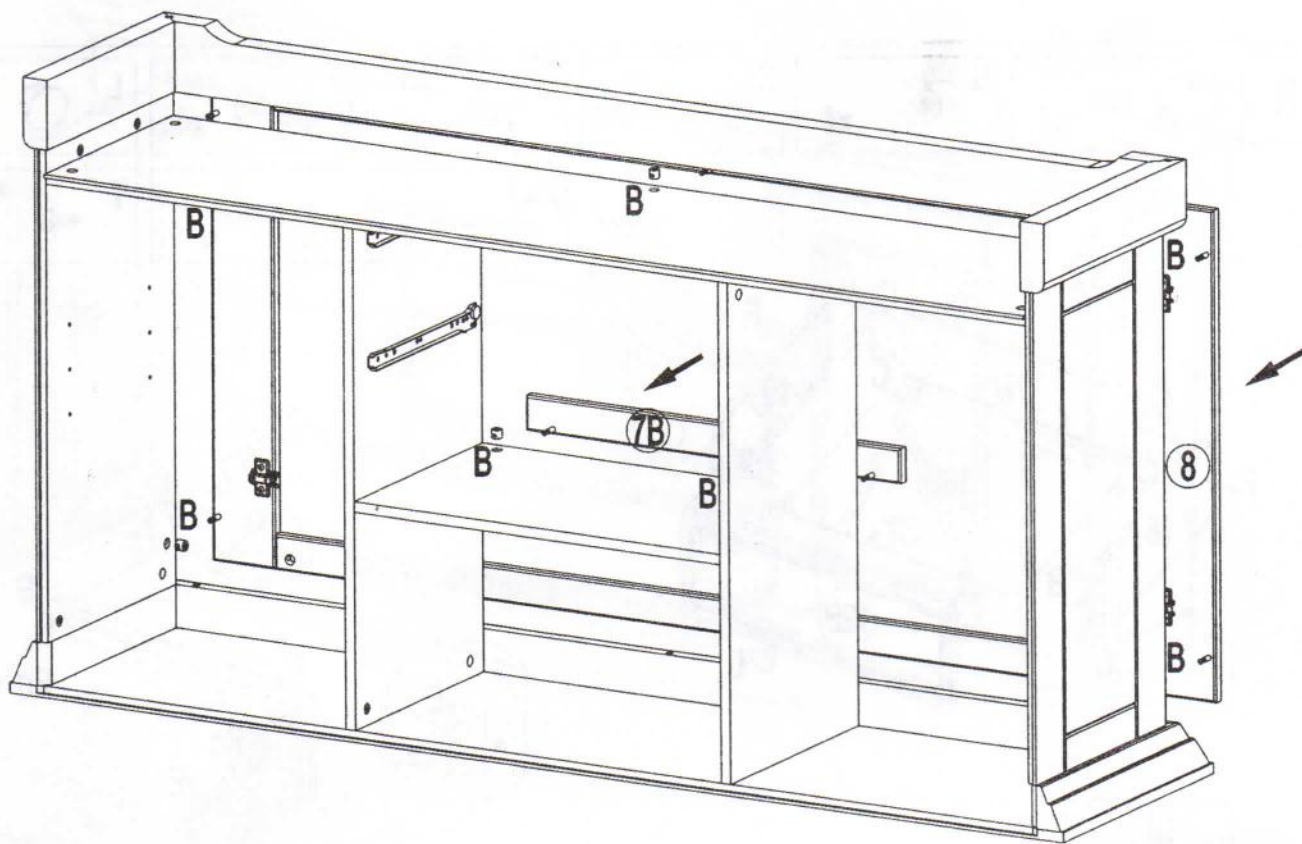
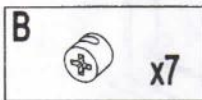
B x20



5

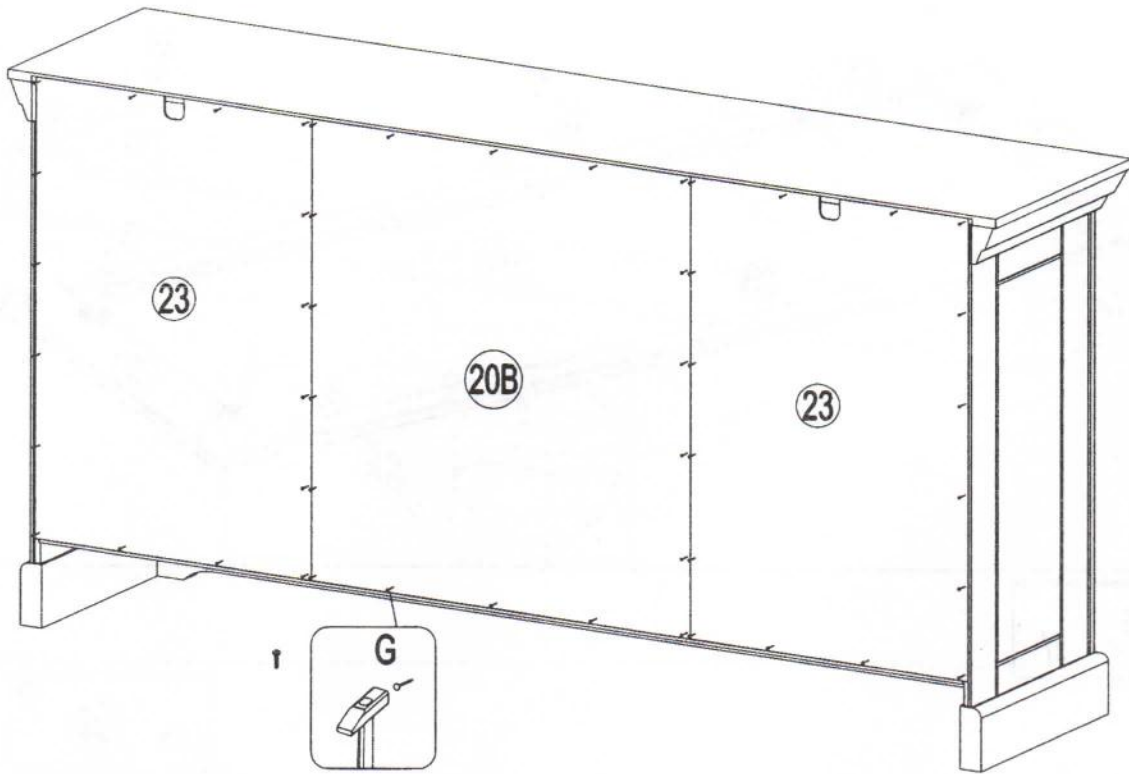


6



7

G 1.2x20
x50



8

A x4

B x4

C 8x32
x16

E 3.5x15
x8

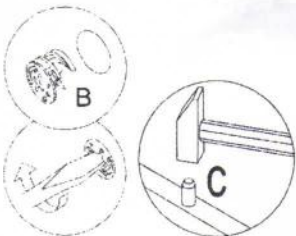
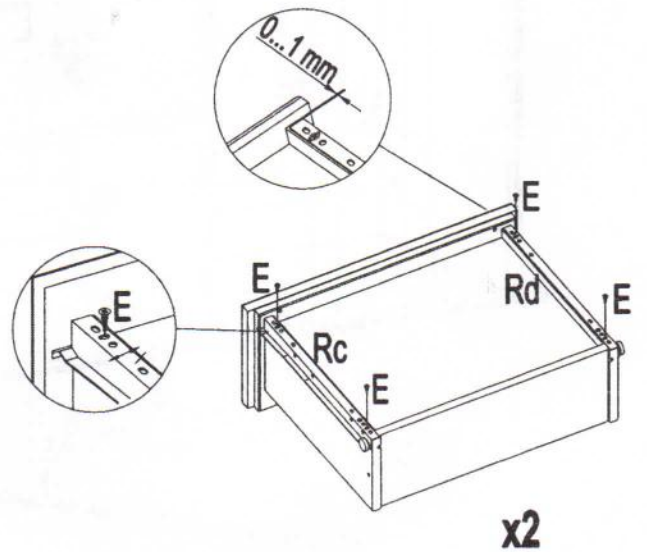
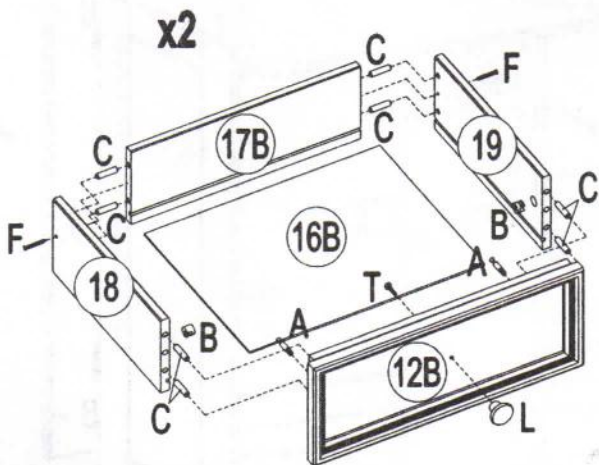
F 3.5x35
x4

L x2

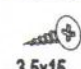



Rx2
c)

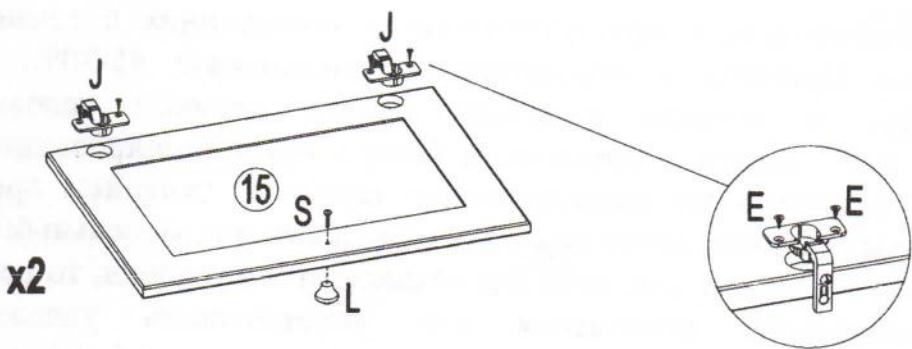
d)

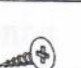

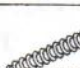

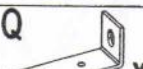
T M4x18
x2



6-7

- | | | | | |
|---|---|--|--|--|
| 9 | E  3.5x15 x8 | L  x2 | J  x4 | S  M4x22 x2 |
|---|---|--|--|--|



- | | | | |
|----|---|--|---|
| 10 | E  3.5x15 x2 | D  x8 | N  5x50 x2 |
| | P  8x50 x2 | Q  x2 | |

